



Representative Product Photo

CANLink[®] CL-304-100 Module Output Module with LED I/O Indicators

8 Outputs and 9 Inputs including:

- (8) 3A PWM outputs with estimated current feedback
- (4) harness code* inputs
- (1) switch to ground input
- (4) 0-5.5VDC 10-bit analog inputs
- (1) J1939 CAN port

The CL-304 is a solid-state microprocessor based module and member of the HED[®] CANLink[®] multiplexed control family. Delivered in a Deutsch enclosure, this unit provides a high density I/O count in a compact and economical package.

Designed for use as a stand alone unit or as part of a distributed system, the CL-304 is also available in a clear enclosure with LED indicators for each input or output for simple troubleshooting in the field.

The HED[®] CL-304 can be programmed using HED[®]'s do-it-yourself CANLink[®] Composer[™] programming tool or directly by HED[®] engineering, and is designed for use with the CANLink[®] Conductor[™] software tool for diagnostics and field troubleshooting.

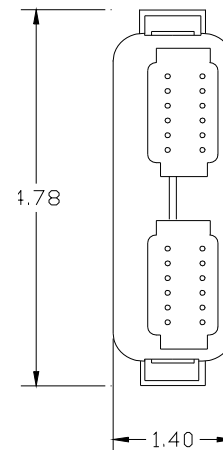
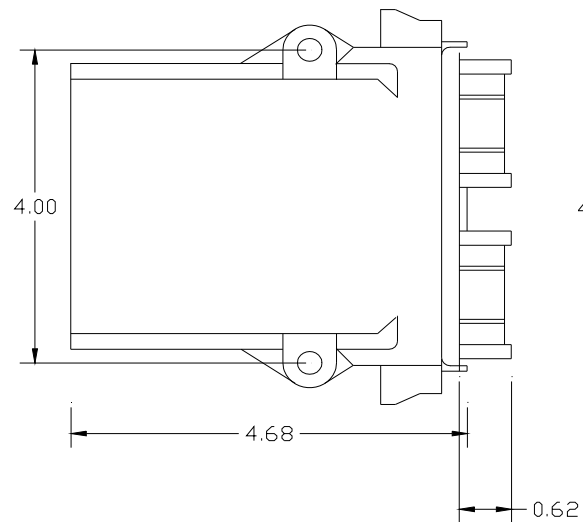
Specifications

Enclosure:	Deutsch standard EEC-325x4 PCB enclosure with 24-pin receptacle.
Connectors:	DTM06-12SA DTM06-12SB WM-12S (wedge) – Two needed (one per connector) 0462-201-20141 20AWG sockets 0413-204-2005 Sealing Plugs – Unused pins are required to be sealed to maintain module sealing
Operating Voltage Range:	8 to 32 VDC
Operating Temperature:	-40°C to 70°C
Storage Temperature:	-40°C to 85°C
IP Rating:	IP 6K9K (intended for either interior or exterior installation)
PC Boards:	The printed circuit boards are designed for high EMI/RFI protection. The boards are conformal coated with a silicone coating for further water/moisture protection. All inputs and outputs are protected against shorts to Battery(+) or Battery(-). 100% of the boards are functionally tested before shipment. * Harness codes are switch to ground inputs used to identify I/O module location and function to the master controller

CL-304-100 Output Module

CL-304-100 Output Module Pinout

Gray 12-Pin Connector		Black 12-Pin Connector	
Pin	Function	Pin	Function
1	Output #1 DOUT(+)/PWM(+)/ECC(+)(3A)	1	Output #5 DOUT(+)/PWM(+)/ECC(+)(3A)
2	Output #2 DOUT(+)/PWM(+)/ECC(+)(3A)	2	Output #6 DOUT(+)/PWM(+)/ECC(+)(3A)
3	Input #1 AIN(0-5.5V)	3	BAT(+) Outputs 5, 6
4	Input #2 AIN(0-5.5V)	4	Output #7 DOUT(+)/PWM(+)/ECC(+)(3A)
5	Input #3 AIN(0-5.5V)	5	Output #8 DOUT(+)/PWM(+)/ECC(+)(3A)
6	Input #4 AIN(0-5.5V)	6	BAT(+) Outputs 7, 8
7	Output #3 DOUT(+)/PWM(+)/ECC(+)(3A)	7	Input #5 STG
8	Output #4 DOUT(+)/PWM(+)/ECC(+)(3A)	8	HID#1
9	CAN-L	9	HID#2
10	CAN-H	10	HID#3
11	BAT(-) Module	11	HID#4
12	BAT(+) Module and Outputs 3, 4	12	BAT(+) Outputs 1, 2



Note: Above pinout is for HED® part number CL-304-100.
Additional part number data sheets available on HED® website.