

## CANLink<sup>®</sup> CL-305-101 Module Power Module



Representative Product Photo

The CL-305 is a solid-state microprocessor based module and member of the HED<sup>®</sup> CANLink<sup>®</sup> multiplexed control family. Delivered in a Deutsch enclosure, this unit provides a high density I/O count in a compact and economical package.

Designed for use as a stand alone unit or as part of a distributed system, the CL-305 is also available in a clear enclosure with LED indicators for each input or output for simple troubleshooting in the field.

The HED<sup>®</sup> CL-305 can be programmed using HED<sup>®</sup>'s do-it-yourself CANLink<sup>®</sup> Composer<sup>™</sup> programming tool or directly by HED<sup>®</sup> engineering, and is designed for use with the CANLink<sup>®</sup> Conductor<sup>™</sup> software tool for diagnostics and field troubleshooting.

### 8 Outputs and 5 Inputs including:

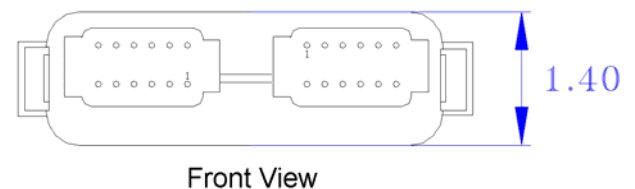
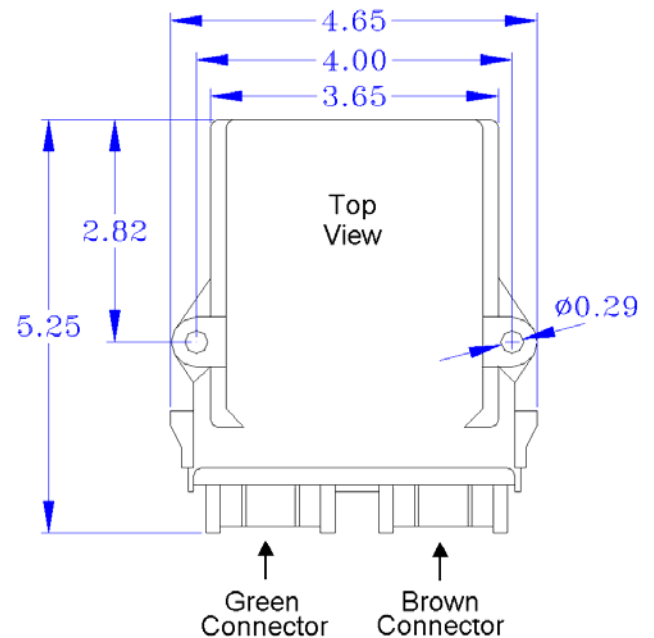
- (8) 10A PWM outputs with current limiting\*\*
- (4) harness code\* inputs
- (1) switch to ground input
- (1) J1939 CAN port

Specifications	
Enclosure:	Deutsch standard EEC-325x4 PCB enclosure with 24-pin receptacle.
Connectors:	DTM06-12SC DTM06-12SD WM-12S (wedge) – Two needed (one per connector) 0462-201-20141 20AWG sockets 0413-204-2005 Sealing Plugs – Unused pins are required to be sealed to maintain module sealing
Operating Voltage Range:	8 to 32 VDC
Operating Temperature:	-40°C to 70°C
Storage Temperature:	-40°C to 85°C
IP Rating:	IP 6K9K (intended for either interior or exterior installation)
PC Boards:	The printed circuit boards are designed for high EMI/RFI protection. The boards are conformal coated with a silicone coating for further water/moisture protection. All inputs and outputs are protected against shorts to Battery(+) or Battery(-). 100% of the boards are functionally tested before shipment. * Harness codes are switch to ground inputs used to identify I/O module location and function to the master controller ** External clamping diodes are required by user to be installed across loads controlled by CL-305 outputs for clamping of inductive flyback voltage spikes to Ground. Without external customer supplied clamping diode to Ground the CL-305 is exposed to failure if Battery connection to CL-305 is removed or broke while any CL-305 output is actively driving an inductive load. Wiring from CL-305 to non-Inductive loads may add enough inductance to cause failure, so it is recommended to always install clamping diodes across all loads.

## CL-305-101 Power Module

### CL-305-101 Power Module Pinout

Green 12-Pin Connector		Brown 12-Pin Connector	
Pin	Function	Pin	Function
1	Output #1** DOUT(+)/PWM(+)(10A)	1	Output #5** DOUT(+)/PWM(+)(10A)
2	BAT(+) Module and Output 1	2	BAT(+) Output 5
3	Battery(-)	3	Output #6** DOUT(+)/PWM(+)(10A)
4	CAN-L	4	BAT(+) Output 6
5	CAN-H	5	Output #7** DOUT(+)/PWM(+)(10A)
6	Input #1 STG	6	BAT(+) Output 7
7	BAT(+) Output 2	7	HID#1
8	Output #2** DOUT(+)/PWM(+)(10A)	8	HID#2
9	BAT(+) Output 3	9	HID#3
10	Output #3** DOUT(+)/PWM(+)(10A)	10	HID#4
11	BAT(+) Output 4	11	BAT(+) Output 8
12	Output #4** DOUT(+)/PWM(+)(10A)	12	Output #8** DOUT(+)/PWM(+)(10A)



Note: Above pinout is for HED® part number CL-305-101.  
 Additional part number data sheets available on HED® website.

\*\* External clamping diodes are required by user to be installed across loads controlled by CL-305 outputs for clamping of inductive flyback voltage spikes to Ground. Without external customer supplied clamping diode to Ground the CL-305 is exposed to failure if Battery connection to CL-305 is removed or broke while any CL-305 output is actively driving an inductive load. Wiring from CL-305 to non-Inductive loads may add enough inductance to cause failure, so it is recommended to always install clamping diodes across all loads.

