



Representative Product Photo

CANLink® CL-414-102 Module I/O Module with LED I/O Indicators

8 Inputs and 8 Outputs including:

- (8) switch to battery inputs
- (4) harness codes* inputs
- (8) 500mA sinking PWM outputs
- (1) J1939 CAN Port

The CL-414 is a solid-state microprocessor based module and member of the HED® CANLink® multiplexed control family. Delivered in a Deutsch enclosure, this unit provides a high density I/O count in a compact and economical package.

Designed for use as a stand alone unit or as part of a distributed system.

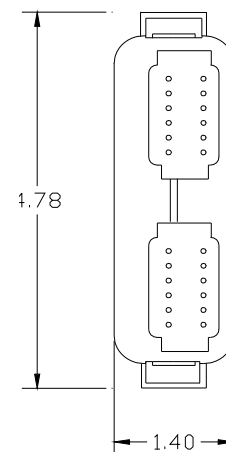
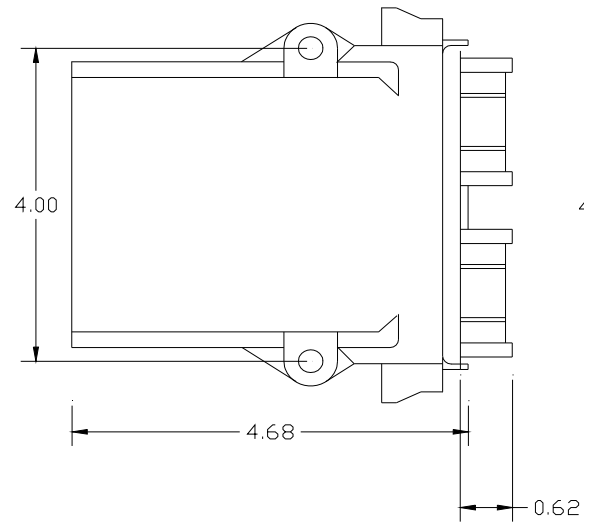
The HED® CL-414 can be programmed using HED®'s do-it-yourself CANLink® Composer™ programming tool or directly by HED® engineering, and is designed for use with the CANLink® Conductor™ software tool for diagnostics and field troubleshooting.

Specifications	
Enclosure:	Deutsch standard EEC-325x4 PCB enclosure with 24-pin receptacle.
Mating Connectors: Deutsch	DTM06-12SA DTM06-12SB WM-12S (wedge) – Two needed (one per connector) 0462-201-20141 20AWG sockets 0413-204-2005 Sealing Plugs – Unused pins are required to be sealed to maintain module sealing
Operating Voltage Range:	8 to 32 VDC
Operating Temperature :	-40°C to 70°C
Storage Temperature:	-40°C to 85°C
IP Rating:	IP 6K9K
PC Boards:	The printed circuit boards are designed for high EMI/RFI protection. The boards are conformal coated with a silicone coating for further water/moisture protection. All inputs and outputs are protected against shorts to Battery(+) or Battery(-). 100% of the boards are functionally tested before shipment. * Harness codes are switch to ground inputs used to identify I/O module location and function to the master controller

CL-414-102 I/O Module

CL-414-102 I/O Module Pinout

Gray 12-Pin Connector		Black 12-Pin Connector	
Pin	Function	Pin	Function
1	Output #1 DOOUT(-)/PWM(-)(0.5A)	1	Input #1 STB
2	Output #2 DOOUT(-)/PWM(-)(0.5A)	2	Input #2 STB
3	Output #3 DOOUT(-)/PWM(-)(0.5A)	3	Input #3 STB
4	Output #4 DOOUT(-)/PWM(-)(0.5A)	4	Input #4 STB
5	Output #5 DOOUT(-)/PWM(-)(0.5A)	5	Input #5 STB
6	Output #6 DOOUT(-)/PWM(-)(0.5A)	6	Input #6 STB
7	Output #7 DOOUT(-)/PWM(-)(0.5A)	7	Input #7 STB
8	Output #8 DOOUT(-)/PWM(-)(0.5A)	8	Input #8 STB
9	CAN-L	9	HID#1
10	CAN-H	10	HID#2
11	BAT(-) Module	11	HID#3
12	BAT(+) Module / Input #9 Battery Voltage	12	HID#4



Note: Above pinout is for HED® part number CL-414-102.
Additional part number data sheets available on HED® website.