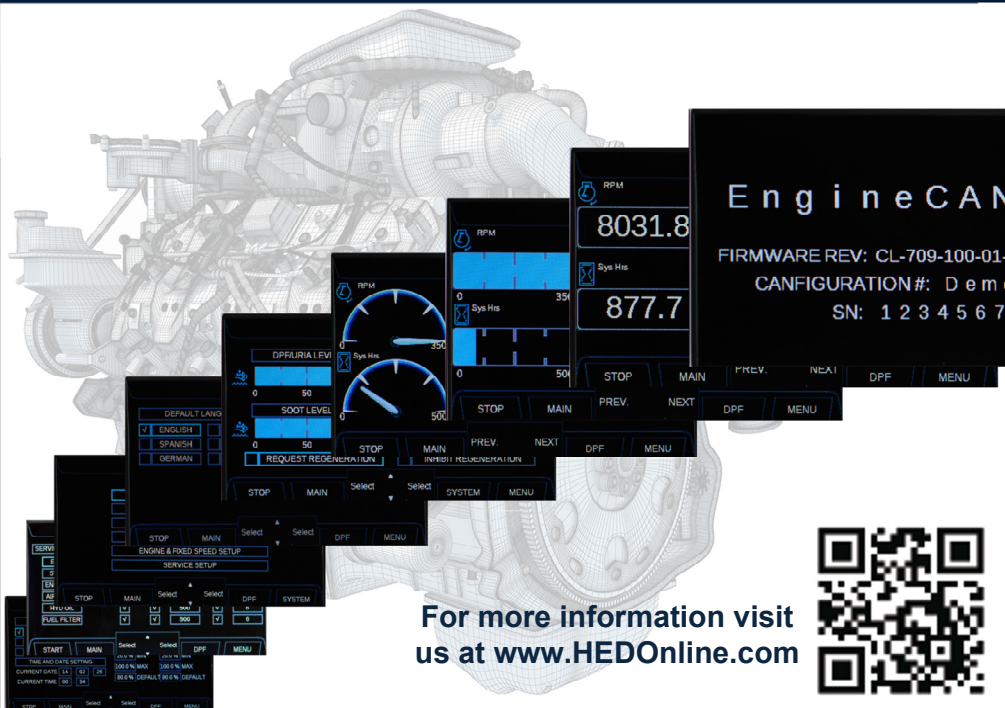




CANLink Tier 4 Engine Display



For more information visit us at www.HEDOnline.com



Cummins Tier 4 Final - CERTIFIED!

CL-709-100-10-HED-05 CANLink Tier 4 Engine Display – Cummins Tier 4 Final Compatible:

- Sealed Robust Enclosure can be RAM mount or panel mount
- Sunlight readable 4.3" TFT Color LCD display
- WQVGA 480x242 pixel format
- LED Backlight with 500 cd/m2 (nits) brightness
- Real Time Clock with Internal Battery
- Navigation Key (4 button)
- Approved by Cummins as a Tier 4 Final Engine display
- 8 to 32VDC
- -40 to 70° C operating temperature
- -30 to 80° C storage temperature
- IP67 rated enclosure

Take your engine display to the next level with HED's NEW Engine Monitor. Building off the robust and powerful CL-709-100-10-HED platform, this solution allows the OEM or end user a cost effective and elegant solution to give their customers the functionality they need in day to day operation.

Some of the advantages:

- Quick to market
 - No software development
- Cost effective
 - No development costs
 - Cost effective package
- Powerful Display
 - Engine Monitoring
 - Engine Diagnostics
 - Service Settings

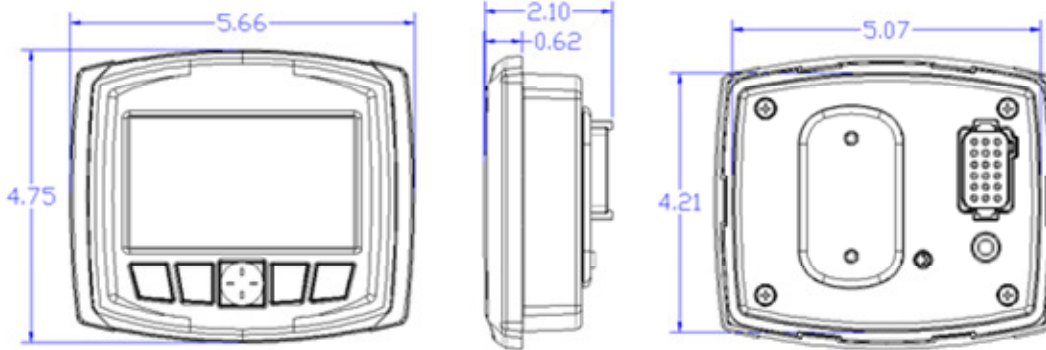
Hydro Electronic Devices, Inc
 2120 Constitution Avenue
 Hartford, WI 53027
www.hedonline.com

Phone: (262)673-9450
 Fax: (262)673-9455
 Rev A3





CANLink Tier 4 Engine Display (CL-709-100-10-HED-05)



RAM Mount option:

National Products, Inc.

www.rammount.com

Part Number: RAM-B-238U

Use size 8-32 fasteners, with max depth of 0.340", and min depth of 0.250" into display.

USB Connector (M8)	
Pin	Function
1	USB (Power)
2	USB (DP)
3	USB (DM)
4	USB (Ground)

USB Seal Cap Torque:

20 oz-in

Note: If removing cap to program, cap and rubber washer must be re-installed to above torque to maintain IP67 seal.



The "CANLink Tier 4 Engine Display – Cummins Tier 4 Final Compatible" allows OEMs or end users the ability to quickly interface with a Cummins T4F engines.

No software development or configuration required!

Deutsch 18-Pin DT	
Pin	Function
1	NC – No Connect
2	NC – No Connect
3	NC – No Connect
4	NC – No Connect
5	BAT(-) Display – System Ground/Battery -
6	BAT(+) Display – System Power/Battery +
7	NC – No Connect
8	NC – No Connect
9	NC – No Connect
10	NC – No Connect
11	NC – No Connect
12	NC – No Connect
13	CAN-H – Engine CAN network, 250 Kbs
14	CAN-L – Engine CAN network, 250 Kbs
15	NC – No Connect
16	NC – No Connect
17	NC – No Connect
18	NC – No Connect

Mating Connectors:	DT16-18SA-K004
Deutsch (I/O)	0462-201-16141 (socket for 16-18 AWG wire) 0462-209-16141 (socket for 14-16 AWG wire) 114017 Sealing Plug 0413-217-1605 Locking Sealing Plug Note: Unused pins require plugs to maintain module sealing
RAMCO (USB)	PLM-V84A (USB: M8 4-pin Male Connector) (or other manufacture of IP67 sealed M8 connector)

Hydro Electronic Devices, Inc
2120 Constitution Avenue
Hartford, WI 53027

Phone: (262)673-9450
Fax: (262)673-9455
Rev A3

www.hedonline.com/HED/Products/Engine-Displays-Configurators.htm

