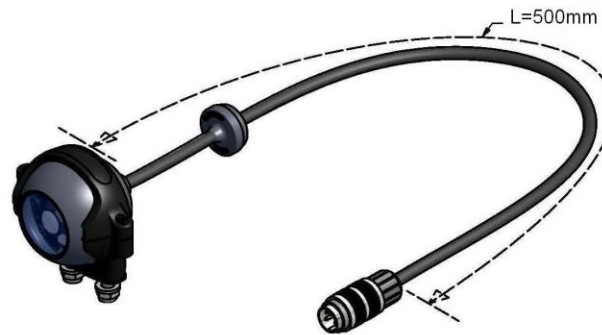
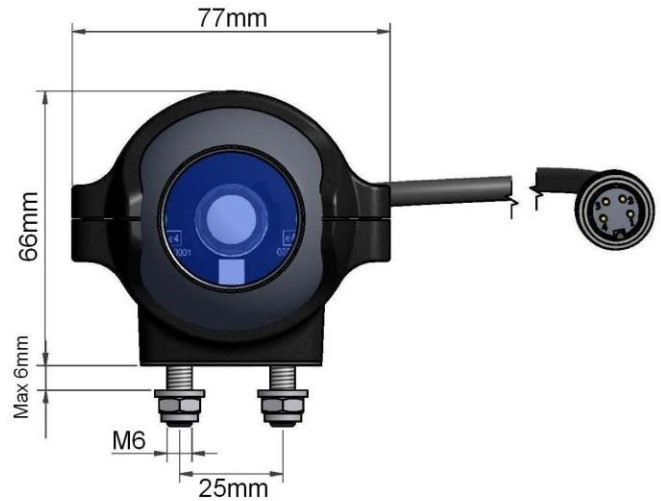
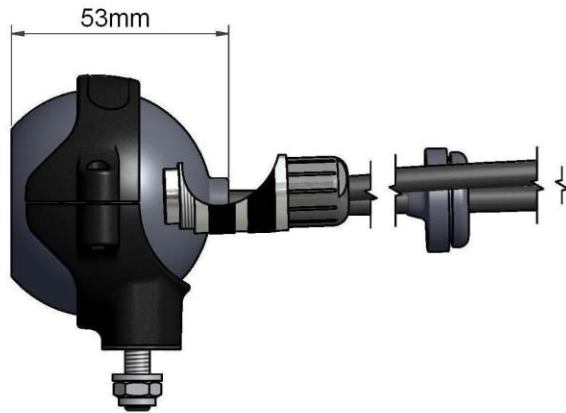




**CANLink<sup>®</sup> CL-COO-100 Camera  
Sealed CMOS Camera (NTSC)  
with 0.5m Cable**

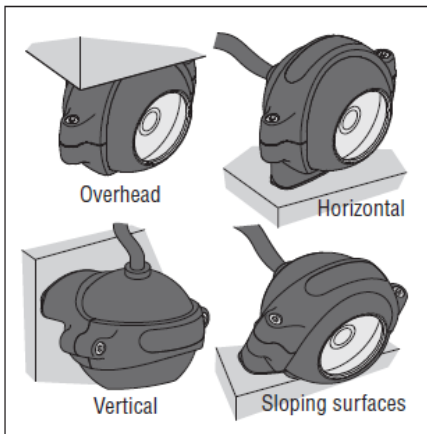
<b>Horz. lens angle</b>	115°	<p><b>Power input*</b> Below 6V: camera is non functional. Between 7V heating element automatically activated (20% capacity). At 8V the camera is fully functional and the heating is at 40% of its capacity. At 12V the heating is at 100% capacity. Between 12V and 33V camera and heating element are fully functional. Above 33V the overvoltage protection is activated and camera plus heating element are switched off. This overvoltage-protection is deactivated below 32V. Powercircuit is protected up to 80V/Dc. Outputs are Short Circuit Protected. <i>In all these above mentioned values; a tolerance of +/-10% is applied.</i></p>
<b>Video signal</b>	Interlaced NTSC 30fps 720H x 486V. 1Vtt in 75 Ohm.	
<b>Sensor element</b>	1/4" A CMOS digital image sensor. 640H x 480V.	
<b>Light sensitivity</b>	<0.25 Lux.	
<b>Dynamic Range</b>	>70dB.	
<b>Housing</b>	Anodised aluminium, black, UV resistant, light fastness >8, corrosion proof according IEC 60068-2-52 salt mist, cyclic.	
<b>Ingress protection</b>	IP68 according to IEC 60529 (up to 10 m under water). IP69k according to DIN 40050-9: camera can withstand a high pressure cleaning with water: 14-16L/min. 80°C and 100 bars flow.	
<b>Nitrogen filled</b>	Filled with overpressure 1 bar.	
<b>Lens glass</b>	Chemically hardened, toughed, tempered float glass: 5 to 7 times stronger than ordinary glass, protected against acid: class 2-3; DIN 12116, passed flying stone test.	
<b>Mounting hardware</b>	Standard stainless steel.	
<b>Shock constancy</b>	Shock and vibration resistant for usage on trucks, cranes, fork-lifts, maritime applications, machinery. Random vibration test 15.3Grms at frequency: 24 to 2000, PSD (g <sup>2</sup> /Hz) 0.04 to 0.10.	
<b>Camera bracket</b>	Material: glass reinforced polyamide, test: 50 Nm at -40°C to +85°C.	
<b>Weight</b>	0.21kg, 0.29 in standard packing.	
<b>Truck use</b>	Withstand all fluids and materials used in and around trucks like: ammonia solution 5%, ethanol 80-100%, isopropanol 5-10%, soapy water (min. 50% soap per volume), alkaline degreasing compounds (used in high pressure washing equipment).	
<b>Power input*</b>	12..24V/DC.	
<b>Power consumption</b>	Heating off: 1.2W at 24V; Heating on (max. Power at -40°C): 3.6W at 24V.	
<b>Transient protection</b>	Camera may be powered directly from 12v or 24v battery without additional electrical protection since camera has an integrated circuit that protects the camera against over- and undervoltage, spikes, ripples and loaddumps.	
<b>Heater</b>	2.4W max. Puls Width Modulated, activated from +30°C (min) to -40°C.	
<b>Inrush current</b>	With and without heating: 0.7A at 24V, t=2ms.	
<b>Operating temperature</b>	-40°C to +85°C.	
<b>Storage temperature</b>	-40°C to +125°C.	
<b>Connectors</b>	0.5m cable with 4p male molded connector (camera power input and video output).	
<b>Min. cable bend radius</b>	50mm.	
<b>Approvals</b>	Approvals In compliance with all relevant FCC & EMC-, Automotive directives. Certificates available upon request. Mirror directive applies only for Art No. 0143661	
<b>Green Passport</b>	All materials are compliant to Green Passport requirements according IMO resolution MEPC.197(62) as adopted on 15 July 2011 (Maritime sector: International Maritime Organization concerning the functions of the Marine Environment Protection Committee).	

## CL-C00 CMOS Camera

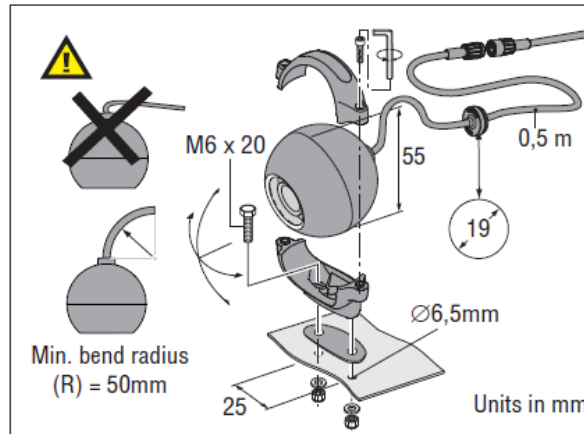


## Installation

### Universal camera Bracket



### Camera attachment and dimensions



### Front side of molded 4p male connector

